

Fyn 600



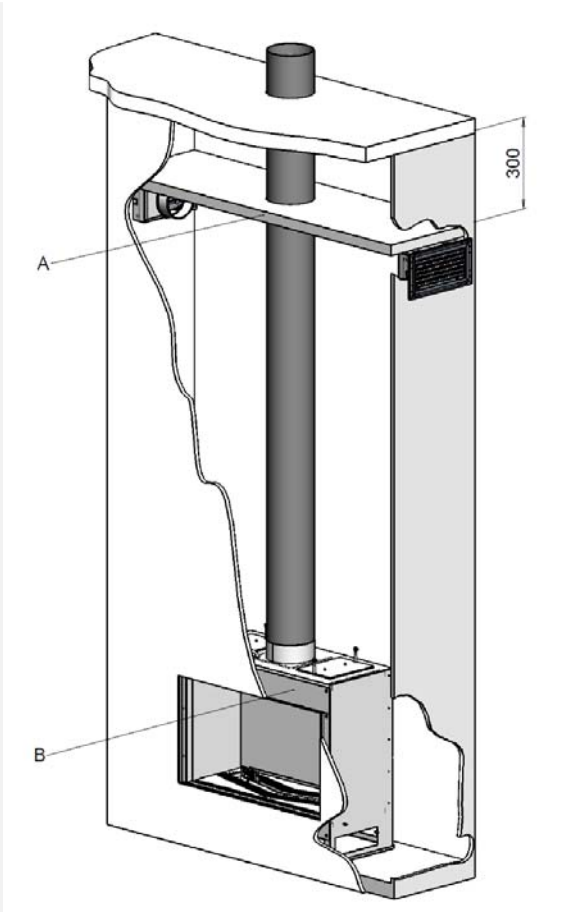
4001131-1123

ENG

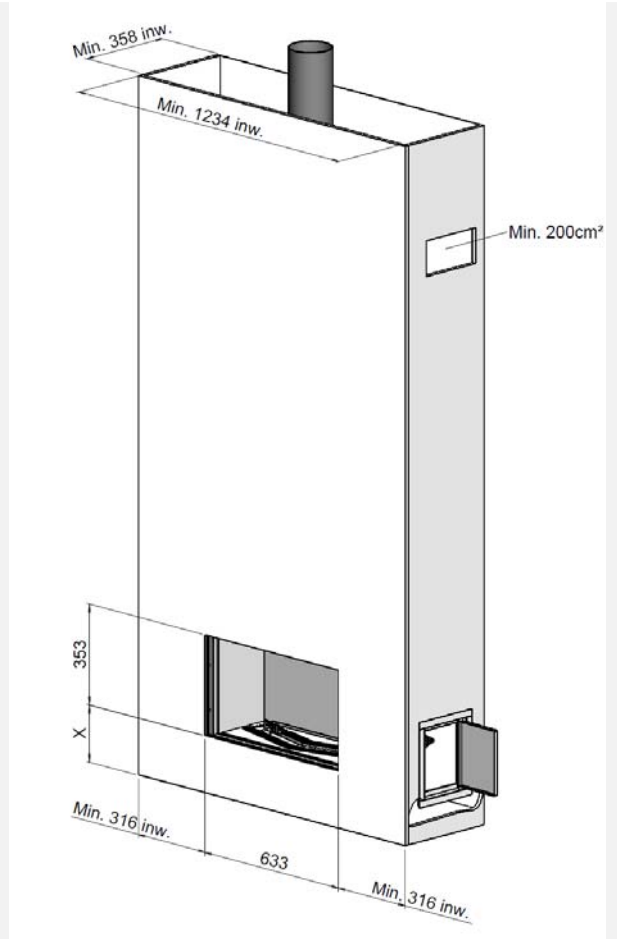
Installation guide

ENG

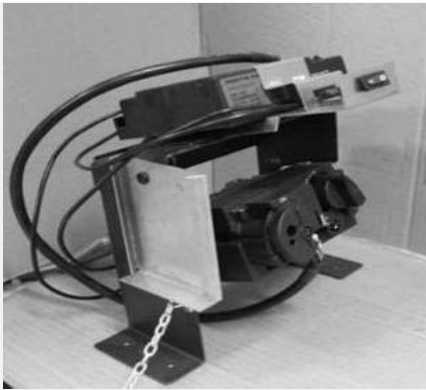
 **faber**



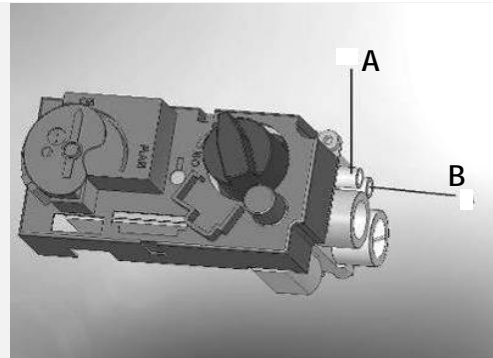
1.1



1.2

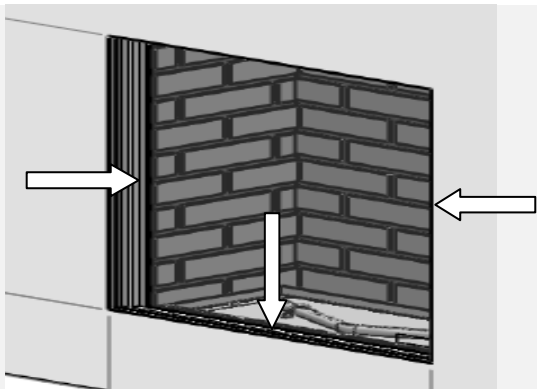


1.3

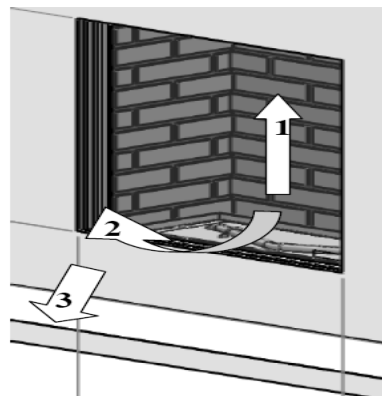


1.4





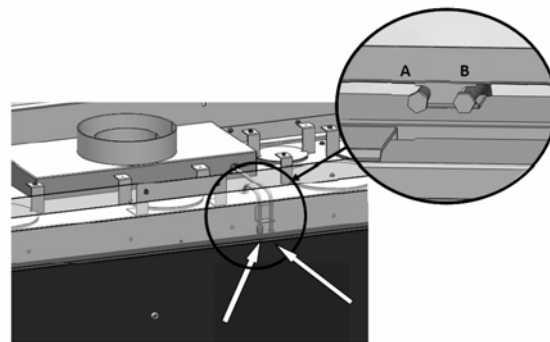
2.1



2.2



2.3



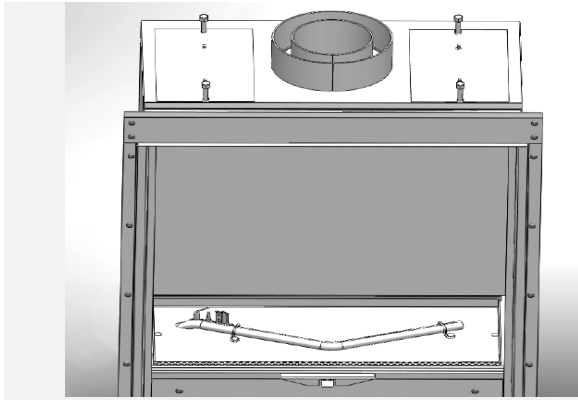
2.4



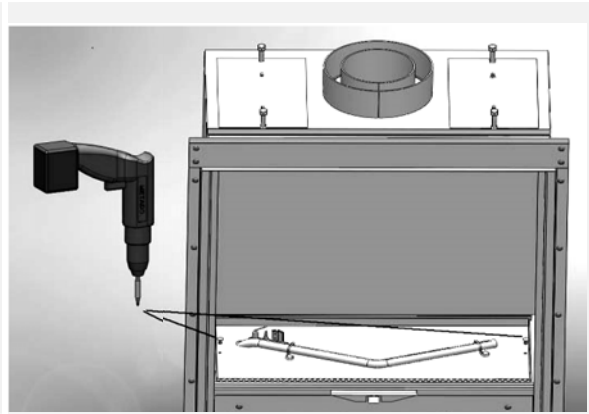
3.1



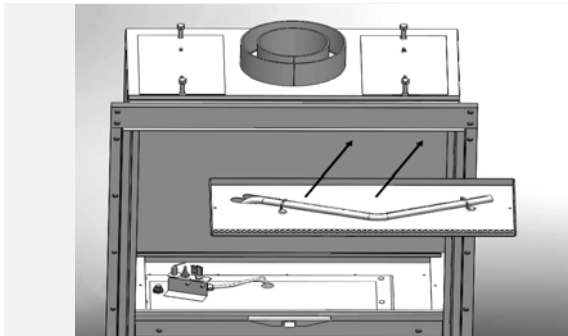
3.2



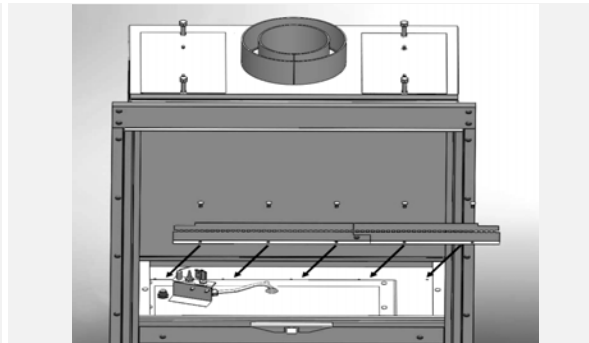
4.1



4.2



4.3



4.4



1 Introduction

The appliance can only be installed by a competent person in accordance with the Gas Safety. We urgently advise you to read this installation manual properly.

This appliance complies with the guidelines for European gas appliances (Gas Appliances Directive) and bears the CE mark.

2 Safety instructions.

- The appliance should be placed, connected and annually checked in accordance with these installation instructions and valid national and local Gas Safety (Installation and Use) Regulations .
- Check whether the data on the registration plate are in agreement with the local type of domestic gas and pressure.
- The fitter is not permitted to change these adjustments or the construction of the appliance!
- Do not place any additional imitation logs or glowing coals on the burner or in the combustion chamber.
- The appliance has been designed for ambience and heating purposes. This means that all surfaces of the appliance , including the glass, can become very hot (hotter than 100 °C). An exception to this are the bottom of the appliance and the controls.
- Do not place any inflammable materials within a of 0.5 m. of the radiation of the appliance and ventilation grills.
- Due to natural air circulation of the appliance, moisture and volatile components from paint, building materials, floor coverings etc. that haven't yet set, can be drawn through the convection system and can be deposited on cold surfaces as soot. That is why you should not use the appliance shortly after a renovation.
- The first time the appliance is switched on, Let the fire run on maximum setting for several hours so that the lacquer coating will have an opportunity to set and possible vapours released can be safely removed by ventilation. We advise you to be outside the room as much as possible during this process!
- Please note that:

- all transport packaging should be removed.
- children or pets should not be present in the room.

3 Installation requirements

3.1 The fire

- Keep a free distance of min.50 mm on the back site of the fire
- The appliance must be built into an existing or a newly to be constructed false chimney breast.

3.2 False Chimney breast

- The false chimney breast must be constructed of an non-combustible material.
- Always ventilate the space above the appliance by means of the grills or a comparable alternative with a minimum air supply of 200 cm².
- For the finish, use special stucco (min. 100°C resistant) or glass fibre wallpaper to prevent discoloration or cracks etc. Recommended drying time: for plaster is a minimum of 24 hours per mm of coat applied.
- The false chimney breast and its construction may not rest on the appliance

3.3 Requirements flue system and outlets

- You should always make use of the materials prescribed by Faber International Ltd. Only by using these materials can Faber International Ltd. guarantee a proper functioning.
- The outside of the concentric flue material can reach a temperature of Approx 150°C. Make sure of proper insulation and protection in case of transit through combustible wall or ceiling constructions. And observe sufficient distance.
- Make sure that the concentric flue materials are bracketed every 2 metres when they have an extended length, so that the weight of the flue material is not resting on the appliance itself.
- You may never start with a cut-down concentric pipe directly on to the appliance.

3.4 terminals

The flue outlet can end on an external wall or a roof . Check whether the outlet desired by you complies with local requirements concerning good function and ventilation systems .

For a proper functioning the terminal should be at least 0.5 m. away from:

- Corners of the building.
- Roof overhangs and balconies.
- Eaves (with the exception of the roof ridge).

3.5 Existing chimney

You can also connect the appliance to an existing chimney. The existing chimney will function as an air supply and a flexible stainless steel pipe drawn up through the chimney will remove the combustion gas. The flexible stainless steel pipe of Ø 100 mm should have a CE mark for temperatures up to 600° Celsius.

The chimney should comply with the following requirements:

- The diameter of the flue system must be at least 150x150 mm.
- There should be no more than 1 appliance connected to a flue pipe.
- The chimney must be in good condition
 - No leakage and
 - It should be properly swept.

For more information about connections to existing flue systems, see the manual "connections".

4 Preparation and Installation instructions

4.1 Gas connection

The gas connection must comply with locally valid standards.

We advise Pipe work from the meter to the appliance must be of adequate size., with near the appliance a gas isolater tap that should always be accessible. Place the gas connection in such a way that this is easily accessible, and that before service, the burner unit can be disconnected at all times.

4.2 Electric connection

If an adapter is used for the power supply, then a wall socket 230VAC - 50Hz must be mounted in the close neighbourhood of the hearth.

4.3 Preparation of the appliance

- Remove the packaging of the appliance . Make sure the gas pipes underneath the appliance are not damaged.
- Clear a safe space to store the frame and the glass.
- Remove the frame , (if necessary) and the glass and take the separately wrapped parts out of the appliance
- Prepare the gas connection to the gas control valve.

4.4 Placing the appliance

Take the installation requirements into account (see chapter 3)

- Place the appliance into the proper position and if necessary,
- There is no possibility to adjust the height of the fire

4.5 Building a false chimney breast.

Before constructing the chimney breast we advise you to perform a function test with the appliance as described in chapter 7 "checking the installation"

4.6 False Chimney breast

- Construct the false chimney breast from non-combustible material in combination with metal profiles or of brickwork / aerated concrete bricks.
- Take the grills into account. (see fig. 1.1 and 1.2) . Place a protective shield made of non-inflammable material above the grills (see fig1.1 A) .
- Always use a lintel if the chimney breast is constructed of brickwork. These should not be placed directly onto the appliance .
- Construct the chimney breast against the build-in frame (see fig. 1.1 B). Keep a minimum margin of 3 mm between chimney breast and the appliance in connection with the expansion of the appliance
- The depth of the recess into the chimney breast has no influence on the removal of the glass.

4.7 Mounting the smoke emission outlet materials

- In case of a wall or roof terminal, the hole must be at least 5 mm bigger than the diameter of the flue material.
- Horizontal parts must be installed at a (3 degree) slope up away the



- appliance.
- Build up the system from the appliance. If this is not possible, you should make use of a adjustable pipe .
- For fitting the system a ½ metre cut-down pipe should be used. Make sure the inner pipe is always 2 cm longer than the outer pipe. Wall and roof terminal are also shortened. These parts must be secured with a self tapping screw.
- Do not insulate but ventilate bild-in flue material (approx.100cm²)

5 Removing the glass

- Remove the cover strips on the side. (see fig. 2.1)
- Remove cover strip on the bottom. (see fig. 2.2)
- Place the suction discs onto the glass.
- Remove the sealing cord from the groove (see fig. 2.3)
- Remove the groove strips on the sides. (see fig. 2.4)
- Slide the glass upwards so that it is released from the groove. Now gradually move the glass outwards and downwards. (see fig. 2.5)
-

To replace the glass repeat the process in reverse order.

Remove all Fingerprints from the glass, these will be burned into it once the hearth is used.

6 Placing the decorative material

It is not allowed to add different or more materials to the combustion chamber.

Always keep the pilot burner free from decorative material!

Do not toss all the decorative material onto the burner all at once, as the very fine dust may block the holes in the burner.

6.1 Imitation logs

- Spread the vermiculate preferably by hand over the tube burners. The surface of the pebbles may be very slightly elevated from the burner plate but it should be level throughout the entire length.
- Place the imitation logs according to instructions. (see fig. 3.1. or the instruction card)
- It is optional whether you apply chips to the combustion chamber or not.

Prevent chips from covering the burner, this has a negative effect on the fire image.

- Start the pilot en main burner, according to the instructions in the user's manual. Assess whether the flame distribution is correct.
- Place the glass and check the flame picture into the appliance

6.2 Pebbles

- Place the pebbles over the burner and the bottom. Spread the pebbles evenly to a double layer. The surface of the pebbles may be very slightly higher than the burner tube (zie fig. 3.2)
- Place the glass and check the flame picture into the appliance

7 Checking the installation.

7.1 Checking the ignition of the pilot burner, main burner.

Start the pilot and main burner according to the instructions in the user's manual.

- Check whether the pilot light is properly positioned above the main burner and is not covered by chips, an imitation log or pebbles.
- Check the ignition of the main burner at full mark or low mark. (the ignition should take place quickly and easily).

7.2 Checking for gas leakage.

Check all connections and joins for possible gas leaks by means of a gas leak detector or spray

7.3 Checking the burner pressure and the pre-pressure

Measuring the inlet-pressure:

- Turn off the gas control tap.
- Open the pressure gauge nipple (see figure 1.4 A) a few turns and connect a pressure gauge hose to the gas control valve.
- Carry out this measurement when the appliance is on at full gas mark and when it is on the pilot light.
- If the inlet pressure is too high you are not permitted to connect the appliance.

Measuring the burner pressure:

Only perform this measurement if the inlet-pressure is correct.

- Open the pressure gauge nipple (see fig. 1.4 B) a few turns and connect a pressure gauge hose to the gas control valve.
- The pressure must correspond with the value indicated in the technical info of this manual (chapter 13). In case of deviations, get in touch with the manufacturer.
- **Close the pressure gauge nipples and check these for gas leaks.**

7.4 Checking the flame picture.

Allow the appliance to burn for at least 20 minutes at full and then check the flame picture for:

1. Distribution of the flames
2. Colour of the flames

If either one or both points are unacceptable, then check:

- The positioning of the imitation logs and/or the quantity of pebbles or chips on the burner.
- The connections of the Flue materials for leakage (in case of blue flames)
 - Whether the correct flue restrictor has been mounted
 - The outlet .
 - Wall terminal is installed correctly
 - Roof terminal is fitted and sited correctly
- The flue system is correctly calculated

With CO/CO₂ measure equipment you have the possibility to measure the quality of the flue gases and fresh air.

There are two measure points between the glass and build-in frame.

One for measuring the air intake and one for the flue gases. (fig.)

The ratio of CO₂ and CO level may not exceed 1:100

Example:

If CO₂ is 4,1 % max CO 410ppm

If the ratio exceeds 1:100 or flue gases are measured in the fresh air you should also check the above points.

8 Instructing the client

- Recommend that the appliance be serviced annually by a competent

person in order to guarantee a safe use and a long lifespan.

- Advise and instruct the client about maintenance and cleaning of the glass. Emphasize the risk of burning in fingerprints.
- Instruct the client about the operation of the appliance and the remote control unit, including the replacement of the batteries and adjusting the receiver for initial use.
- Hand over to the client:
 - Installation manual
 - User's manual
 - Imitation logs instruction card
 - Suction lifters

9 Annual maintenance

9.1 Service and cleaning:

- Check and clean if necessary after checking:
 - The pilot light
 - The burner
 - The combustion chamber
 - The glass
 - The logs for possible fractures
 - The outlet

9.2 Replace:

- If necessary the chips/embers.

9.3 Cleaning the glass

Most of the deposits can be removed with a dry cloth. You can use ceramic hob cleaner to clean the glass.


Note: prevent fingerprints on the glass. these will be burned into it once the appliance is used and cannot be removed anymore!

Carry-out the check-up according to the instructions in chapter 7 "checking the installation"

10 Conversion to a different type of gas (e.g. propane)

This can only be done by installing the proper burner unit. for this purpose get in touch with your supplier.

Always mention the type and serial number of the appliance when ordering.



11 Calculation of flue system

The possibilities for the lengths of flue pipes and the possible restrictors have been recorded in a table (see chapter 12) This table works with a vertical and a horizontal length.

- To define the vertical length all lengths of flue pipes in a vertical direction should be added up.
 - The roof terminal always counts as 1 metre.
- To define the horizontal length all lengths of flue pipes in a horizontal direction should be added up.
 - every 90° bend in the horizontal part counts as 2 metres.
 - every 45° bend in the horizontal part counts as 1 metre.
 - Turns from vertical to horizontal or vice versa are not reckoned in the calculation.
 - The wall terminal always counts as 1 metre.

If there is transit under 45° then the real vertical and horizontal lengths should be calculated.

11.1 Points of particular interest:

- You should never start with a cut-down pipe from the appliance.

12 Table and air-restrictor plate
 Find the correct vertical and horizontal lengths in the table.
 In case of an "x", or if the values are outside the table, the combination is not permitted.
 The value found indicates the width of the restrictor to be placed ("0" means no restrictor should be placed).

Generally a 30mm restrictor is pre-installed (fig 2.3)

* When only a vertical flue length is used, than you must install the additional air restrictor under in the appliance (see fig 4.1 up to 4.4)

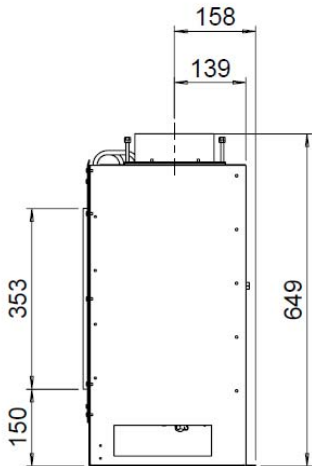
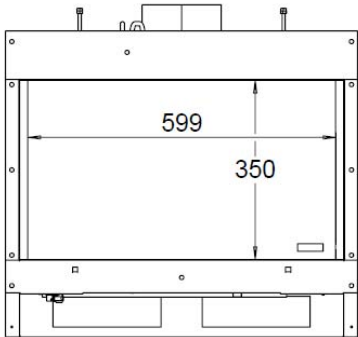
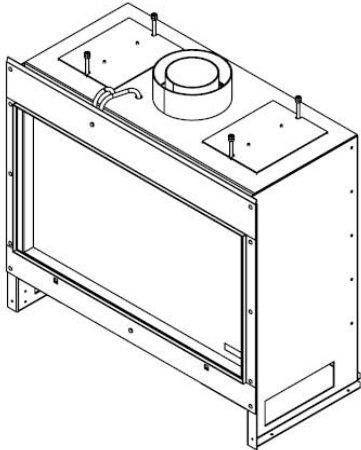
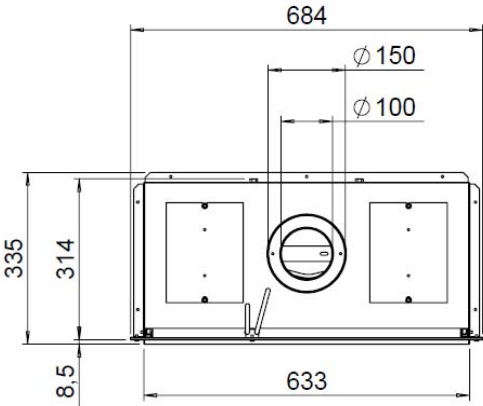
		Horizontale						
		0	1	2	3	4	5	6
Verticale	0	x	x	x	x	x	x	x
	0.5	x	30	x	x	x	x	x
	1	30*	30	30	0	0	0	x
	1.5	30*	30	30	30	0	0	0
	2	30*	40	30	30	30	0	0
	3	40*	50	40	30	30	30	0
	4	50*	50	50	40	30	30	30
	5	50*	60	50	50	40	30	30
	6	60*	60	60	50	50	40	30
	7	60*	60	60	60	50	50	x
	8	60*	65	60	60	60	x	x
	9	65*	65	65	60	x	x	x
	10	65*	65	65	x	x	x	x
	11	65*	65	x	x	x	x	x
12	65*	x	x	x	x	x	x	

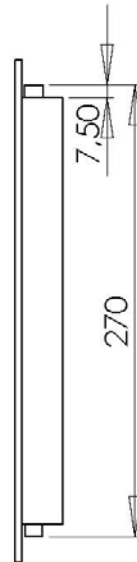
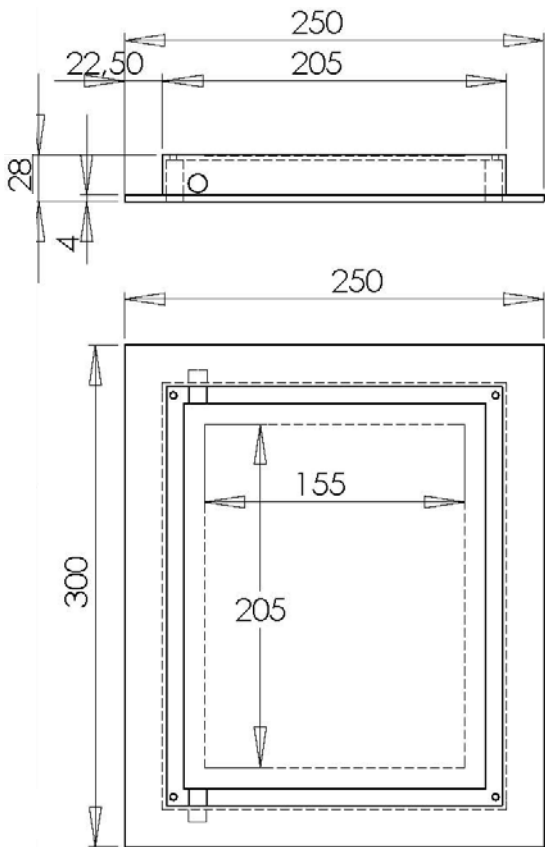
13 Technical data

Gascat.		II2e+3+	II2e+3+	II2e+3+
Toesteltype		C11/ C31	C11 /C31	C11 /C31
Reference gas		G20	G30	G31
Input Nett	kW	5	5	4.2
Efficiency class		2	2	2
NOx class		5	5	5
inlet-pressure	mbar	20	30	30
Gas rate at 15°C and 1013 mbar	l/h	549	148	172
Gas rate at 15°C and 1013 mbar	gr/h		370	320
Burner pressure at full mark	mbar	8.4	21	21
Injector main burner	mm	2,10	1,2	1,2
Reduced input restraint	mm	1.30	0.85	0.85
Pilot assembly		OP- NG9030	OPLPG9222	OPLPG9222
Code		-	-	-
Diameter inlet / outlet	mm	150-100	150-100	150-100
Gas control valve		GV60	GV60	GV60
Gas connection		3/8"	3/8"	3/8"
Electrical connection	V	220	220	220
Batteries receiver	V	4x AA (1.5V)	4x AA (1,5V)	4x AA (1,5V)
Batteries sender	V	9	9	9



14 Dimensions









www.faber.nl - info@faber.nl
Saturnus 8 NL - 8448 CC Heerenveen
Postbus 219 NL - 8440 AE Heerenveen
T. +31(0)513 656500
F. +31(0)513 656501